



Mila Tweendecker / geared

Vessel name	Built	IMO no.	Flag
BBC Bangkok	2011	9437165	Antigua & Barbuda
BBC Bahrain	2012	9578751	Antigua & Barbuda

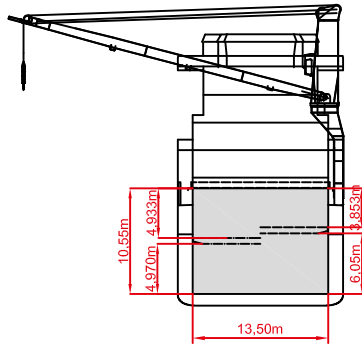
MAIN DATA

Vessel type	Multipurpose Tweendecker
Classification	Germanischer Lloyd
Ice class	E3 (Finish 1A)
GT/NT	6310 / 2841
DWCC (summer)	7,300 mt
Max. draft (summer)	6.40 m
Length o.a.	128.42 m
Breadth	16.50 m
Air draft (summer mark)	29.20 m
Design Speed	13.5 knots

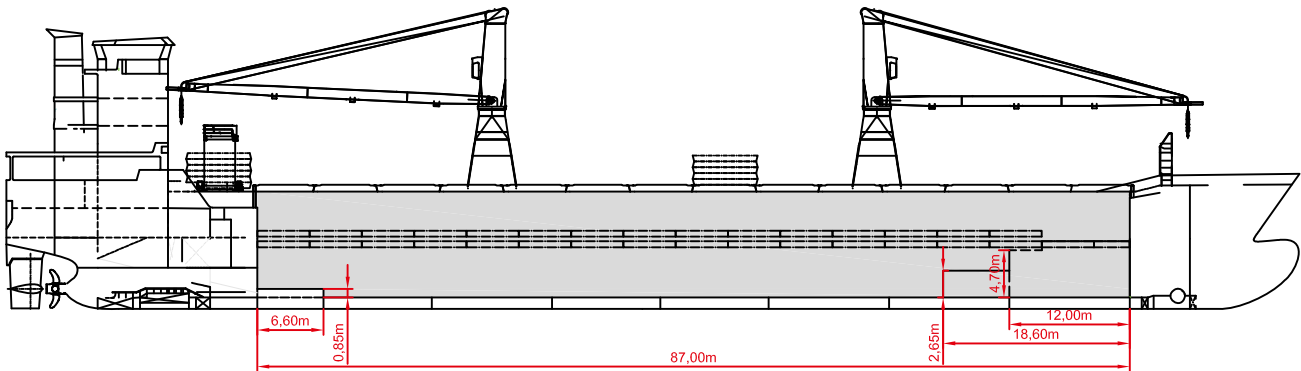
HOLDS/HATCHES/CRANES

Cargo hold capacity	10,770 cbm / 380,181 cbft
Floor space under deck	2,209 sqm / 23,769 sqft
Floor space on deck	1,201 sqm / 12,923 sqft
Cranes	2 NMF cranes situated portside 85 mt capacity each / 170 mt capacity combined
Deck strengths per sqm	20.0 mt on tanktop 3.50 mt on tweendeck 2.30 mt on hatchcovers

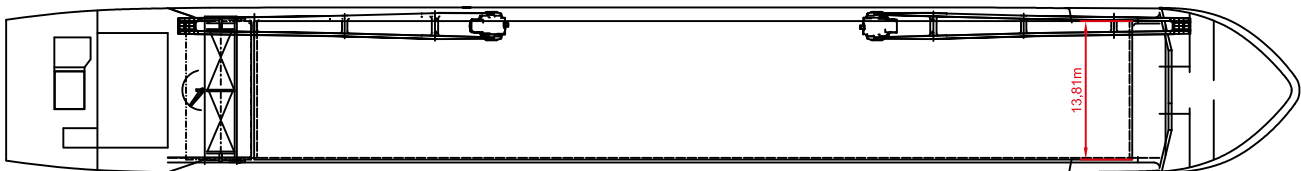
Mila Tweendecker / geared



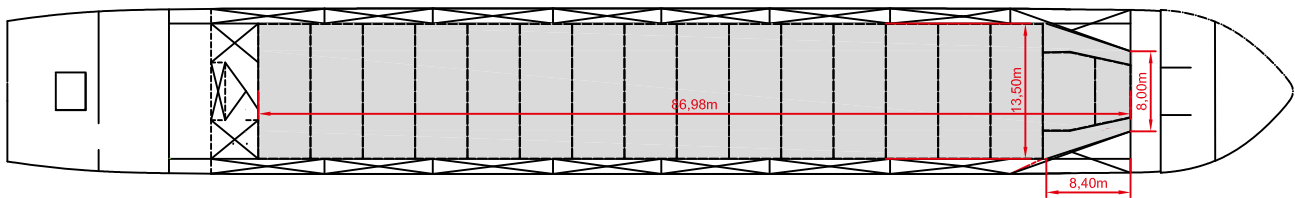
SIDE VIEW



MAIN DECK



TWEENDECK



HOLDS & DOUBLE BOTTOM

