



Amke Tweendecker / gearless

Vessel name	Built	IMO no.	Flag
Amke	2006	9374387	Gibraltar
Emma Janneke	2006	9363508	Gibraltar
Ameland	2009	9434761	Antigua & Barbuda
Ostermarsch	2008	9434759	Antigua & Barbuda
Andante	2005	9341108	Gibraltar

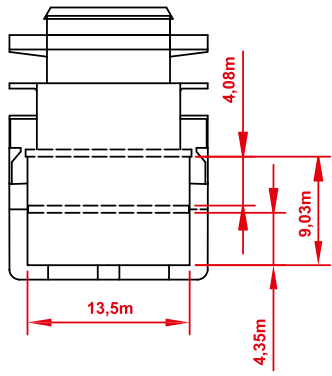
MAIN DATA

Vessel type	Multipurpose Tweendecker
Classification	Germanischer Lloyd
Ice class	E3 (Finish 1A)
GT/NT	5,232 / 2,382
DWCC (summer)	5,800 mt
Max. draft (summer)	5.70 m
Length o.a.	115.50 m
Breadth	16.50 m
Air draft (summer mark)	23,9 m
Design Speed	13.0 knots

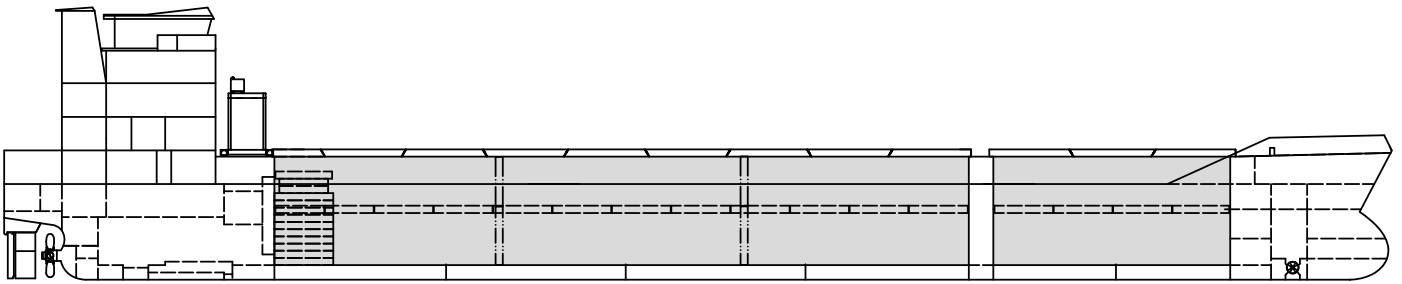
HOLDS/HATCHES

Cargo hold capacity	8,702 cbm / 307,180 cbft
Floor space under deck	2,093 sqm / 22,529 sqft 1,440 sqm / 15,500 sqft (Andante only)
Floor space on deck	1,046 sqm / 11,259 sqft
Deck strengths per sqm	15.00 mt on tanktop 2.50 mt on tweendeck 1.75 mt on hatchcovers

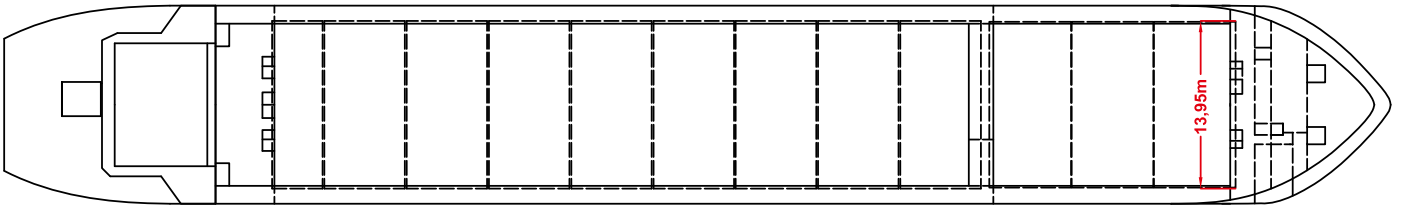
Amke Tweendecker / gearless



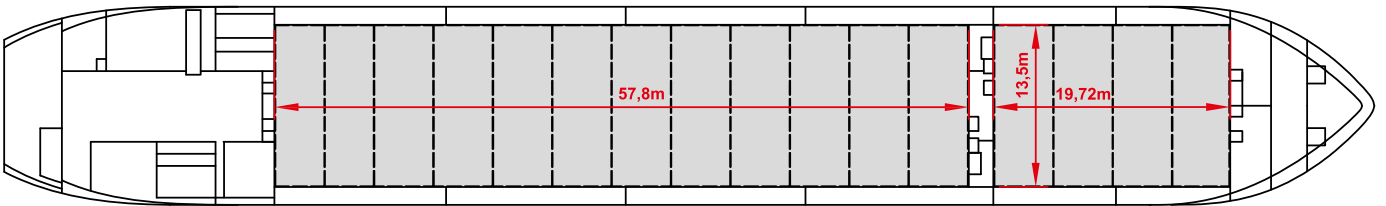
SIDE VIEW



MAIN DECK



TWEENDECK



HOLDS & DOUBLE BOTTOM

