



Amke Tweendecker / geared

Vessel name	Built	IMO no.	Flag
Hollum	2009	9454216	Antigua & Barbuda
BBC Adriatic	2008	9378230	Antigua & Barbuda
BBC Caribbean	2008	9378242	Antigua & Barbuda
BBC Magellan	2010	9569528	Antigua & Barbuda

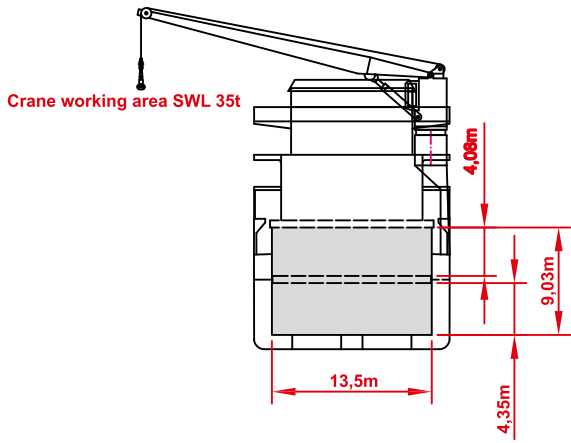
MAIN DATA

Vessel type	Multipurpose Tweendecker
Classification	Germanischer Lloyd
Ice class	E3 (Finish 1A)
GT/NT	5,232 / 2,382
DWCC (summer)	5,750 mt
Max. draft (summer)	5.70 m
Length o.a.	115.50 m
Breadth	16.50 m
Air draft (summer mark)	23,9 m
Design Speed	13.0 knots

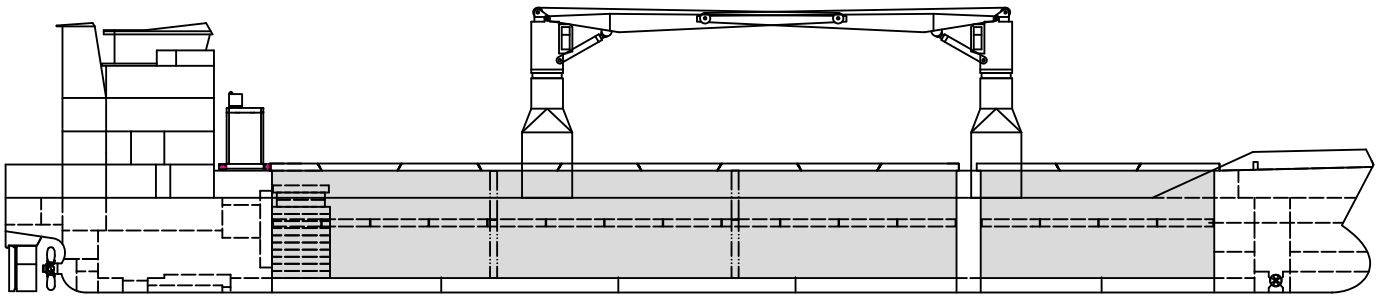
HOLDS/HATCHES/CRANES

Cargo hold capacity	8,702 cbm / 307,180 cbft
Floor space under deck	2,093 sqm / 22,529 sqft
Floor space on deck	1,046 sqm / 11,259 sqft
Cranes	2 NMF cranes situated portside 60 mt capacity each / 120 mt capacity combined
Deck strengths per sqm	15.00 mt on tanktop 2.50 mt on tweendeck 1.75 mt on hatchcovers

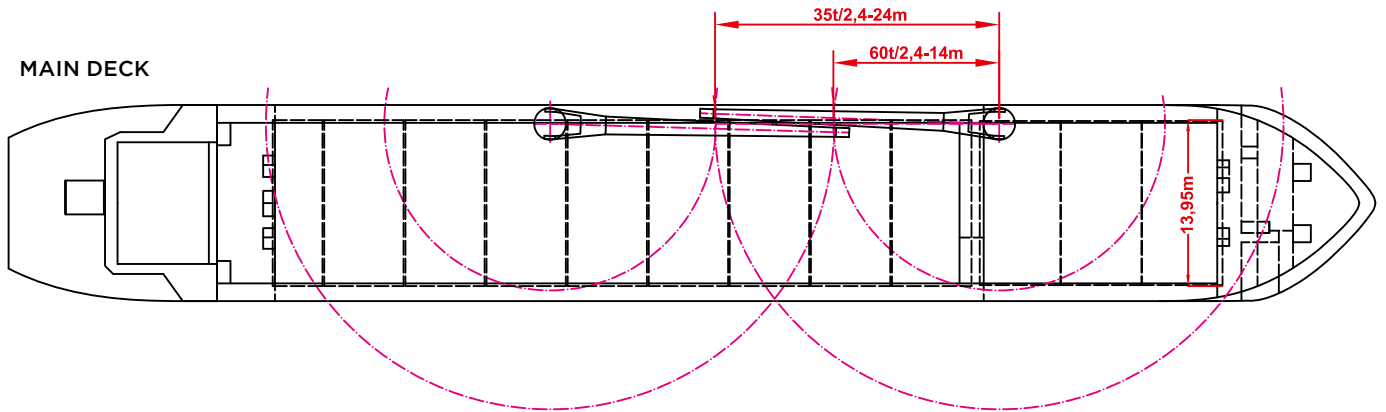
Amke Tweendecker / geared



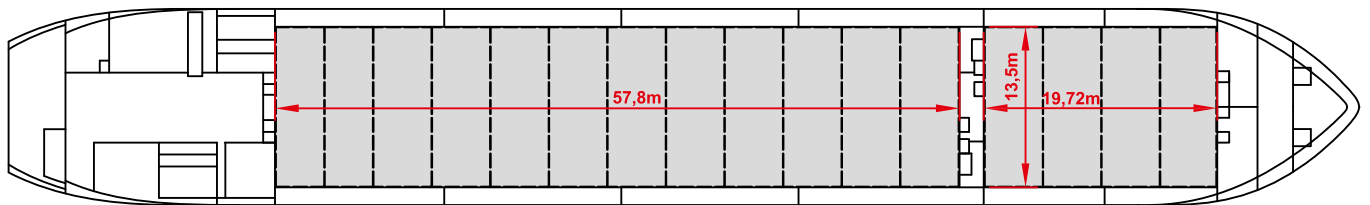
SIDE VIEW



MAIN DECK



TWEENDECK



HOLDS & DOUBLE BOTTOM

