



Langeland Tweendecker / geared

Vessel name	Built	IMO no.	Flag
Langeland	1998	8912912	Antigua & Barbuda

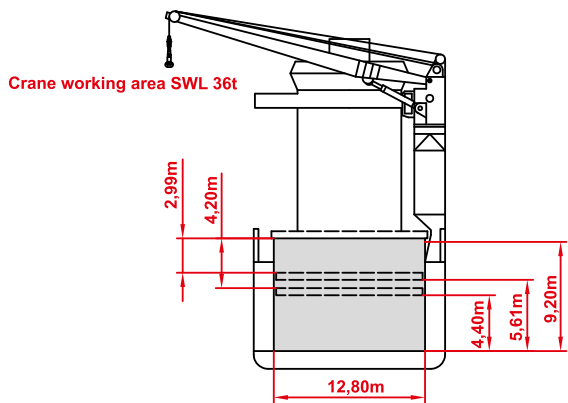
MAIN DATA

Vessel type	Multipurpose Tweendecker
Classification	Germanischer Lloyd
Ice class	E3 (Finish 1A)
GT/NT	4,559 / 2,873
DWCC (summer)	5,600 mt
Max. draft (summer)	6.98 m
Length o.a.	105.00 m
Breadth	16.20 m
Air draft (summer mark)	27.65 m
Design Speed	13.0 knots

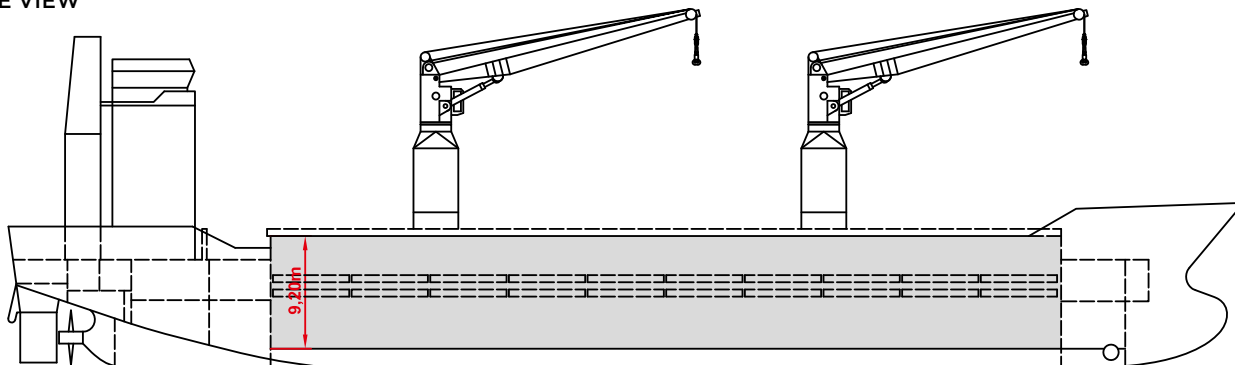
HOLDS/HATCHES/CRANES

Cargo hold capacity	7,270 cbm / 256,631 cbft
Floor space under deck	1,665 sqm / 17,921 sqft
Floor space on deck	857 sqm / 9,224 sqft
Cranes	2 NMF cranes situated portside 60 mt capacity each / 120 mt capacity combined
Deck strengths per sqm	13.00 mt on tanktop 2.50 mt on tweendeck 1.67 mt on hatchcovers

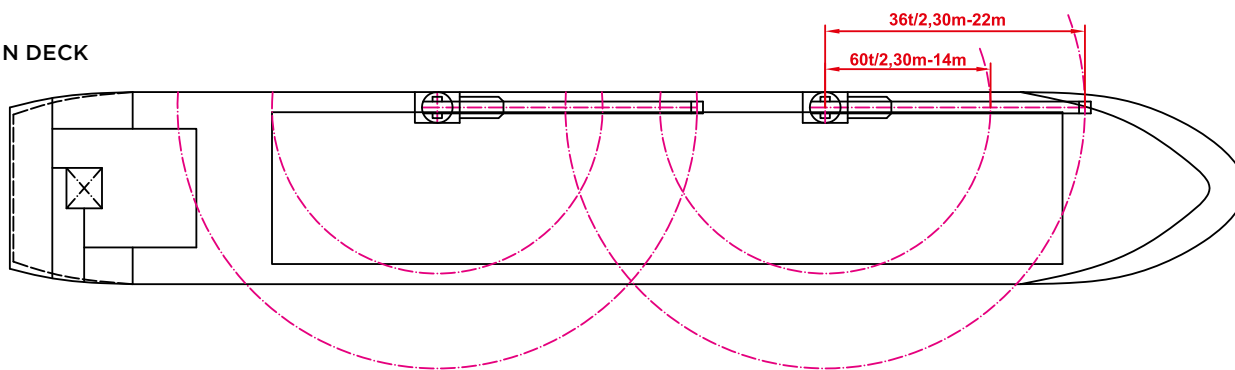
Langeland Tweendecker / geared



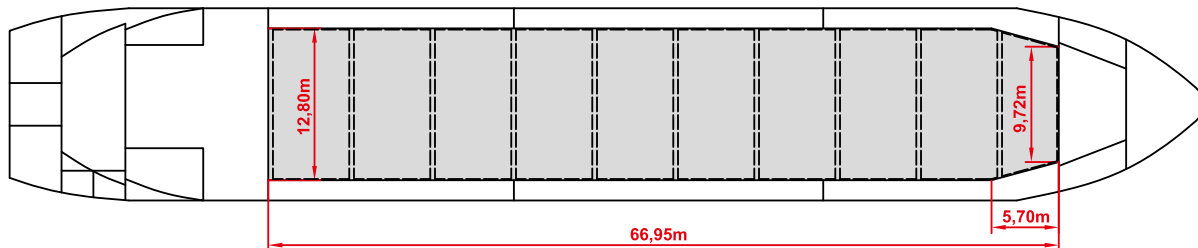
SIDE VIEW



MAIN DECK



TWEENDECK



HOLDS & DOUBLE BOTTOM

