



## BBC Anglia Tweendecker / geared

Vessel name	Built	IMO no.	Flag
BBC Anglia	1997	9137739	Antigua & Barbuda
BBC Canada	1999	9197686	Gibraltar

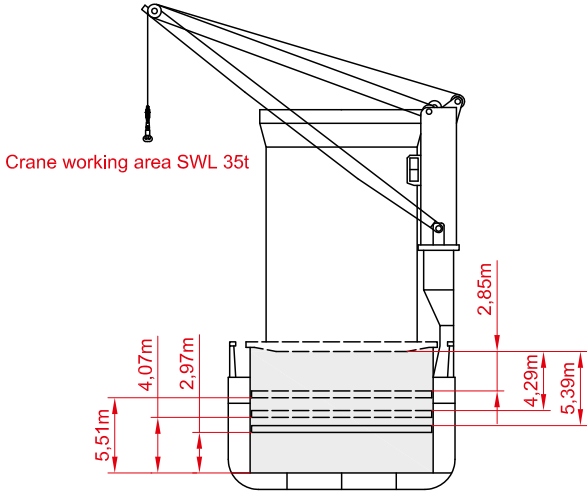
### MAIN DATA

Vessel type	Multipurpose Tweendecker
Classification	Germanischer Lloyd
Ice class	E3 (Finish 1A)
GT/NT	4,078 / 2,009
DWCC (summer)	4,000 mt
Max. draft (summer)	6.40 m
Length o.a.	100.60 m
Breadth	16.60 m
Air draft (summer mark)	28.00 m
Design Speed	15.0 knots

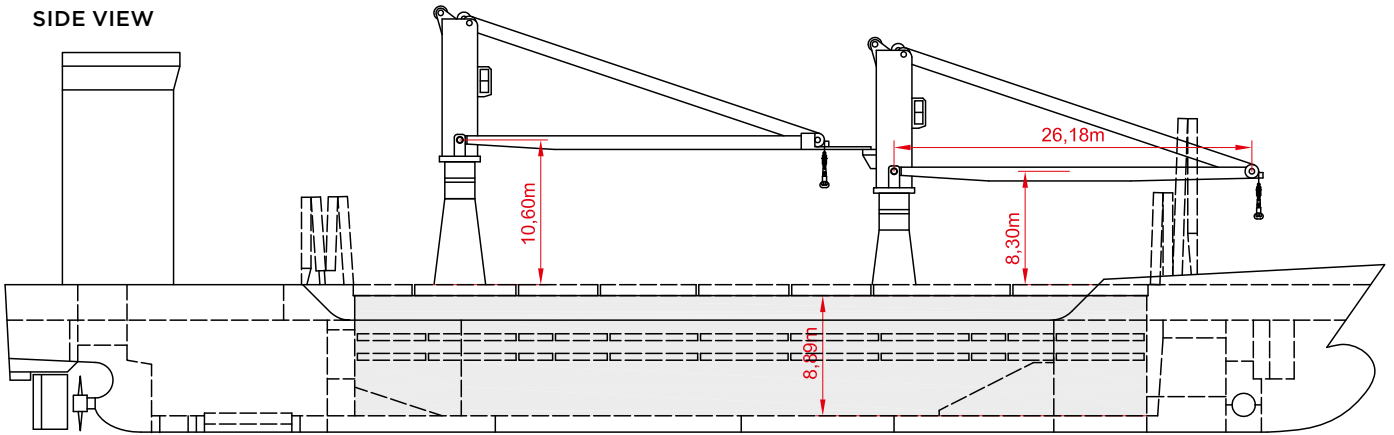
### HOLDS/HATCHES/CRANES

Cargo hold capacity	6,800 cbm / 240,040 cbft
Floor space under deck	1,480 sqm / 15,925 sqft
Floor space on deck	855 sqm / 9,200 sqft
Cranes	2 cranes situated portside 60 mt capacity each / 120 mt capacity combined
Deck strengths per sqm	17.00 mt on tanktop 2.50 mt on tweendeck 2.00 mt on hatchcovers

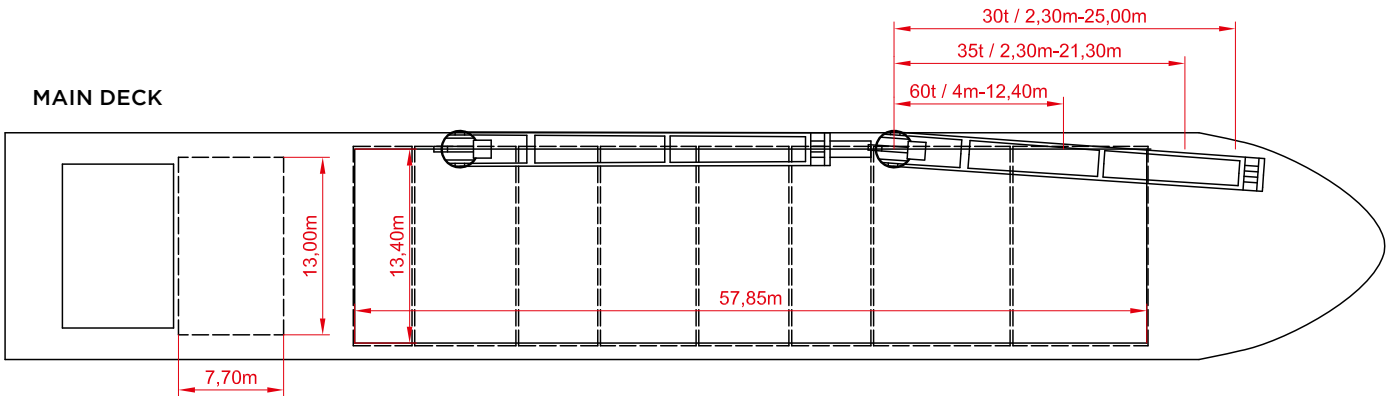
# BBC Anglia Tweendecker / geared



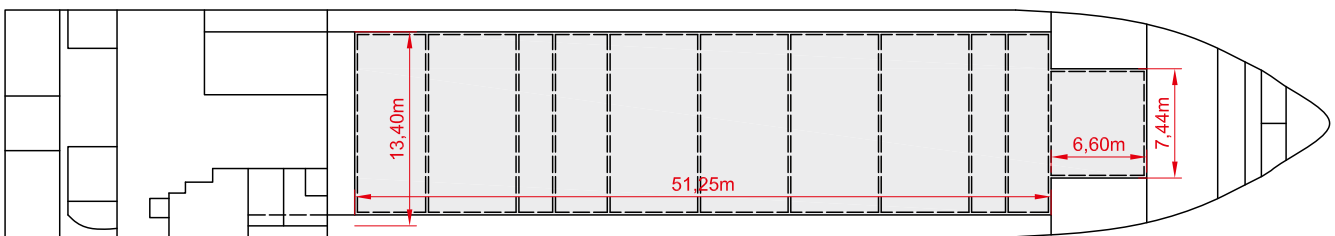
SIDE VIEW



MAIN DECK



TWEENDECK



HOLDS & DOUBLE BOTTOM

