



Cimbris Tweendecker / gearless

Vessel name	Built	IMO no.	Flag
Cimbris	2003	9281786	Gibraltar
Ditzum	2005	9323651	Gibraltar
Nordersand	2004	9289790	Gibraltar
Randzel	2006	9195482	Gibraltar

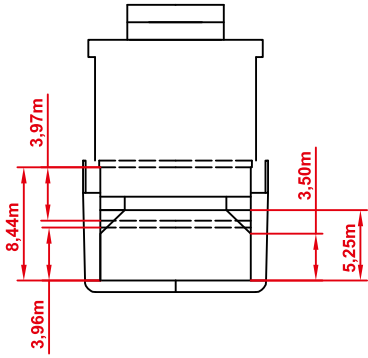
MAIN DATA

Vessel type	Multipurpose Tweendecker
Classification	Germanischer Lloyd
Ice class	E3 (Finish 1A)
GT/NT	3,173 / 1,725
DWCC (summer)	4,150 mt
Max. draft (summer)	5.74 m
Length o.a.	98.90 m
Breadth	13.80 m
Air draft (summer mark)	23.10 m
Design Speed	13.2 knots

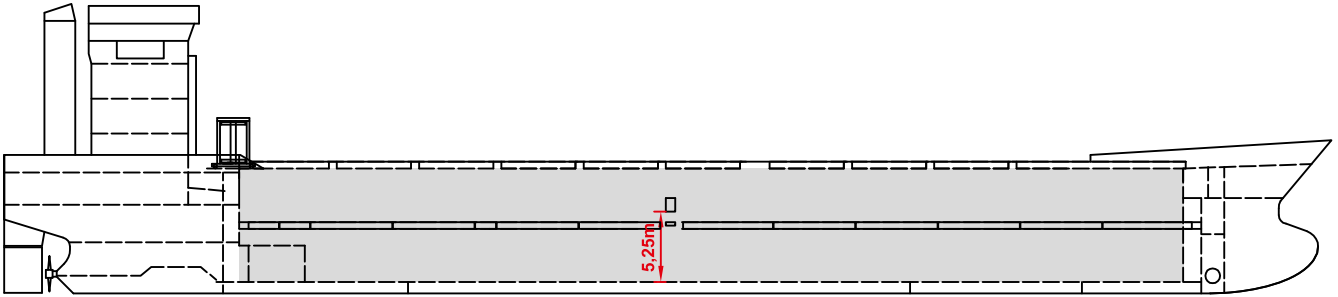
HOLDS/HATCHES

Cargo hold capacity	5,964 cbm / 210,529 cbft
Floor space under deck	1,490 sqm / 16,038 sqft
Floor space on deck	790 sqm / 8,503 sqft
Deck strengths per sqm	15.00 mt on tanktop 2.50 mt on tweendeck 1.60 mt on hatchcovers

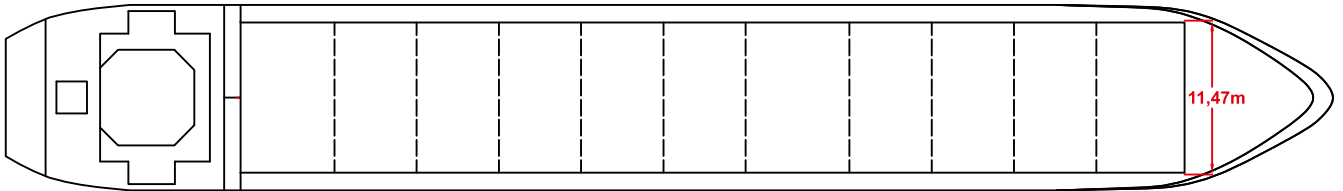
Cimbris Tweendecker / gearless



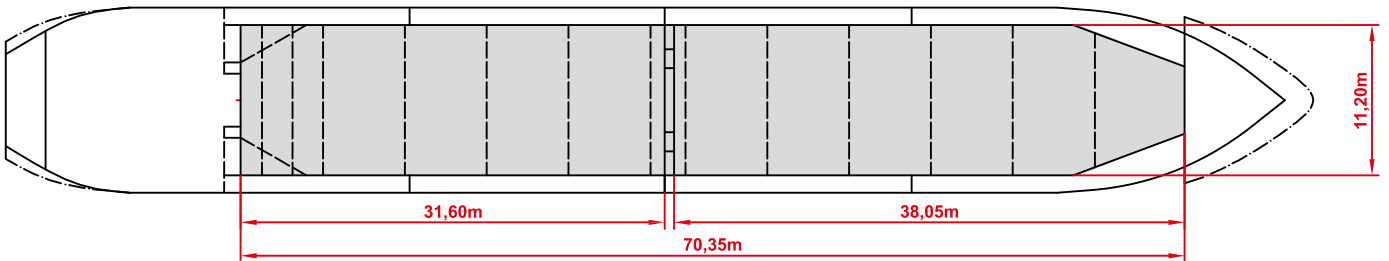
SIDE VIEW



MAIN DECK



TWEENDECK



HOLDS & DOUBLE BOTTOM

