



Cimbris Tweendecker / geared

Vessel name	Built	IMO no.	Flag
Geise	2006	9195470	Gibraltar
BBC Holland	2002	9198616	Gibraltar

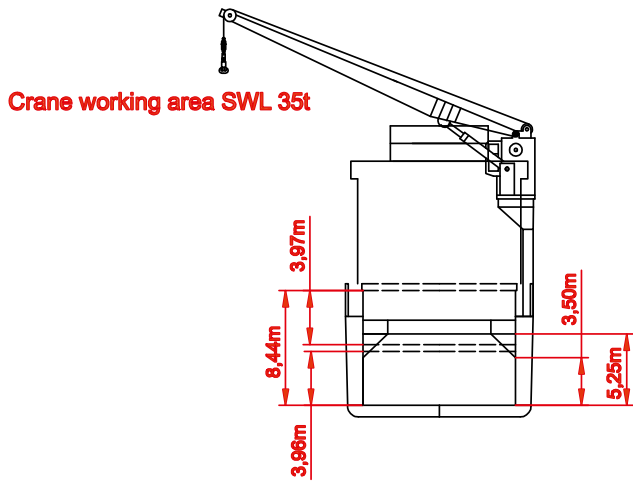
MAIN DATA

Vessel type	Multipurpose Tweendecker
Classification	Germischer Lloyd
Ice class	E3 (Finish 1A)
GT/NT	3,194 / 1,725
DWCC (summer)	3,6000 mt
Max. draft (summer)	5.74 m
Length o.a.	98.90 m
Breadth	13.80 m
Air draft (summer mark)	23.10 m
Design Speed	12.5 knots
Fuel consumption	11.00 mt RME 190 fuel per day at sea 0.7 mt MGO DMA per day in port without gear 1.2 mit MGO DMA per day in port with gear

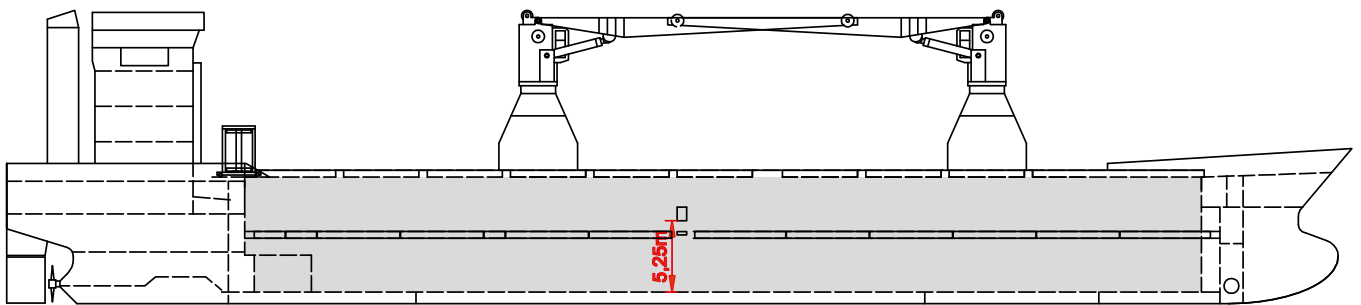
HOLDS/HATCHES/CRANES

Cargo hold capacity	5,964 cbm / 210,529 cbft
Floor space under deck	1,490 sqm / 16,038 sqft
Floor space on deck	790 sqm / 8,503 sqft
Cranes	2 cranes situated portside 60 mt capacity each / 120 mt capacity combined
Deck strengths per sqm	15.00 mt on tanktop 2.50 mt on tweendeck 1.60 mt on hatchcovers

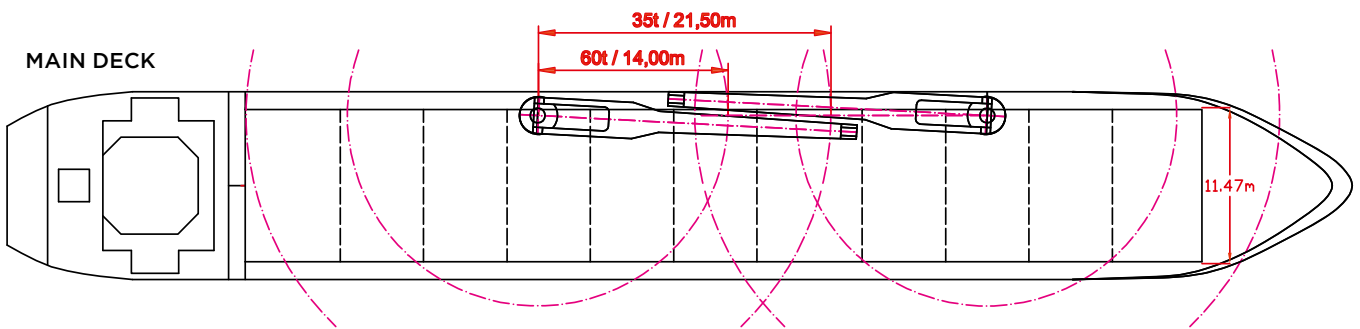
Cimbris Tweendecker / geared



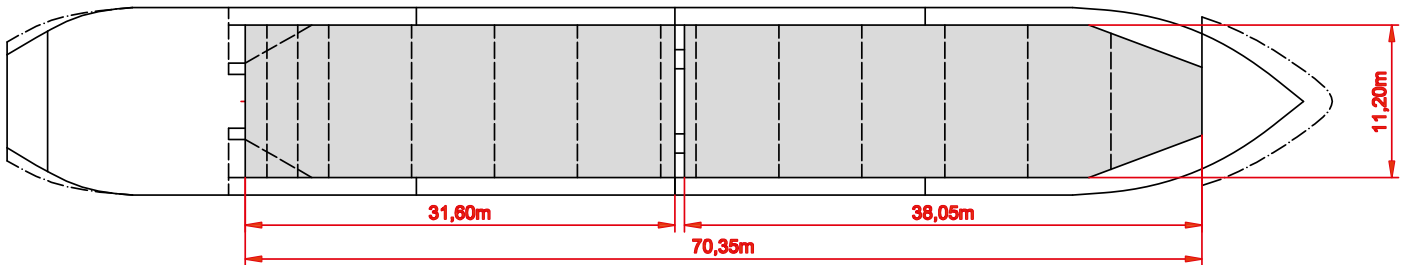
SIDE VIEW



MAIN DECK



TWEENDECK



HOLDS & DOUBLE BOTTOM

