



Mittelplate Tweendecker / gearless

Vessel name	Built	IMO no.	Flag
Accum	2010	9505314	Gibraltar
Bonacieux	2010	9505297	Gibraltar
Constance	2011	9505338	Gibraltar
Hohe Bank	2010	9505302	Gibraltar
Mittelplate	2009	9501203	Gibraltar
Rochefort	2011	9505326	Gibraltar
Schillig	2012	9505405	Gibraltar
Schillplate	2009	9505285	Gibraltar

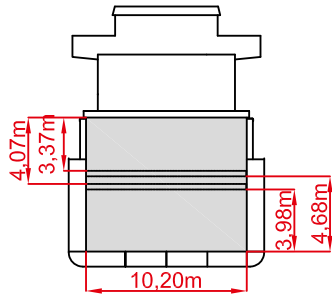
MAIN DATA

Vessel type	Multipurpose Tweendecker
Classification	Germanischer Lloyd
Ice class	E3 (Finish 1A)
GT/NT	2,415 / 1,361
DWCC (summer)	2,900 mt
Max. draft (summer)	5.30 m
Length o.a.	86.00 m
Breadth	12.40 m
Air draft (summer mark)	18.70 m
Design Speed	12.4 knots

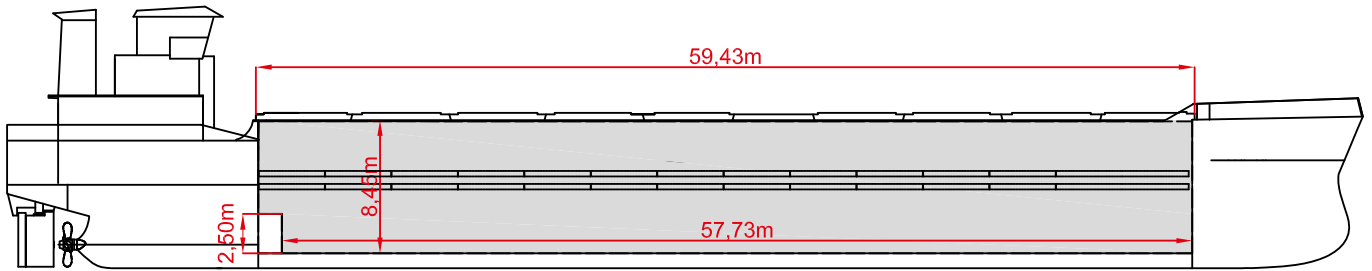
HOLDS/HATCHES

Cargo hold capacity	4,731 cbm / 167,007 cbft
Floor space under deck	1,158 sqm / 12,460 sqft
Floor space on deck	624 sqm / 6,714 sqft
Deck strengths per sqm	14.00 mt on tanktop 2.50 mt on tweendeck 1.60 mt on hatchcovers

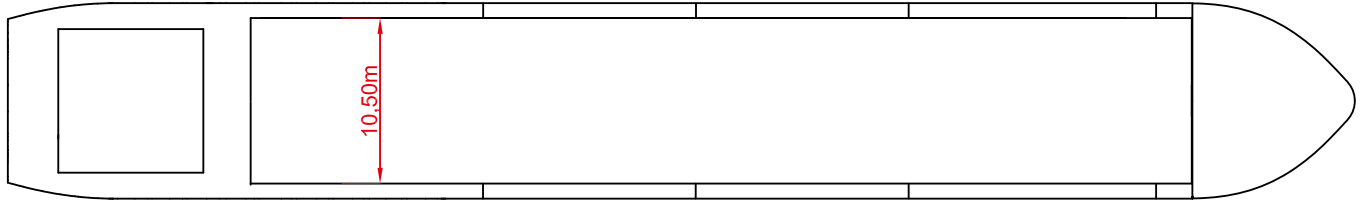
Mittelplate Tweendecker / gearless



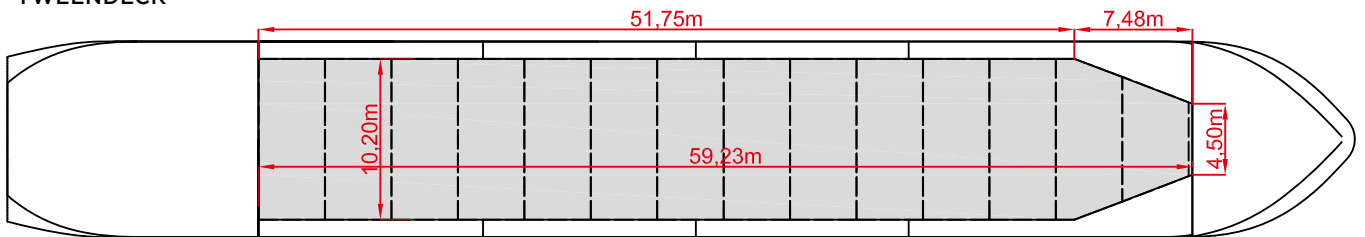
SIDE VIEW



MAIN DECK



TWEENDECK



HOLDS & DOUBLE BOTTOM

